

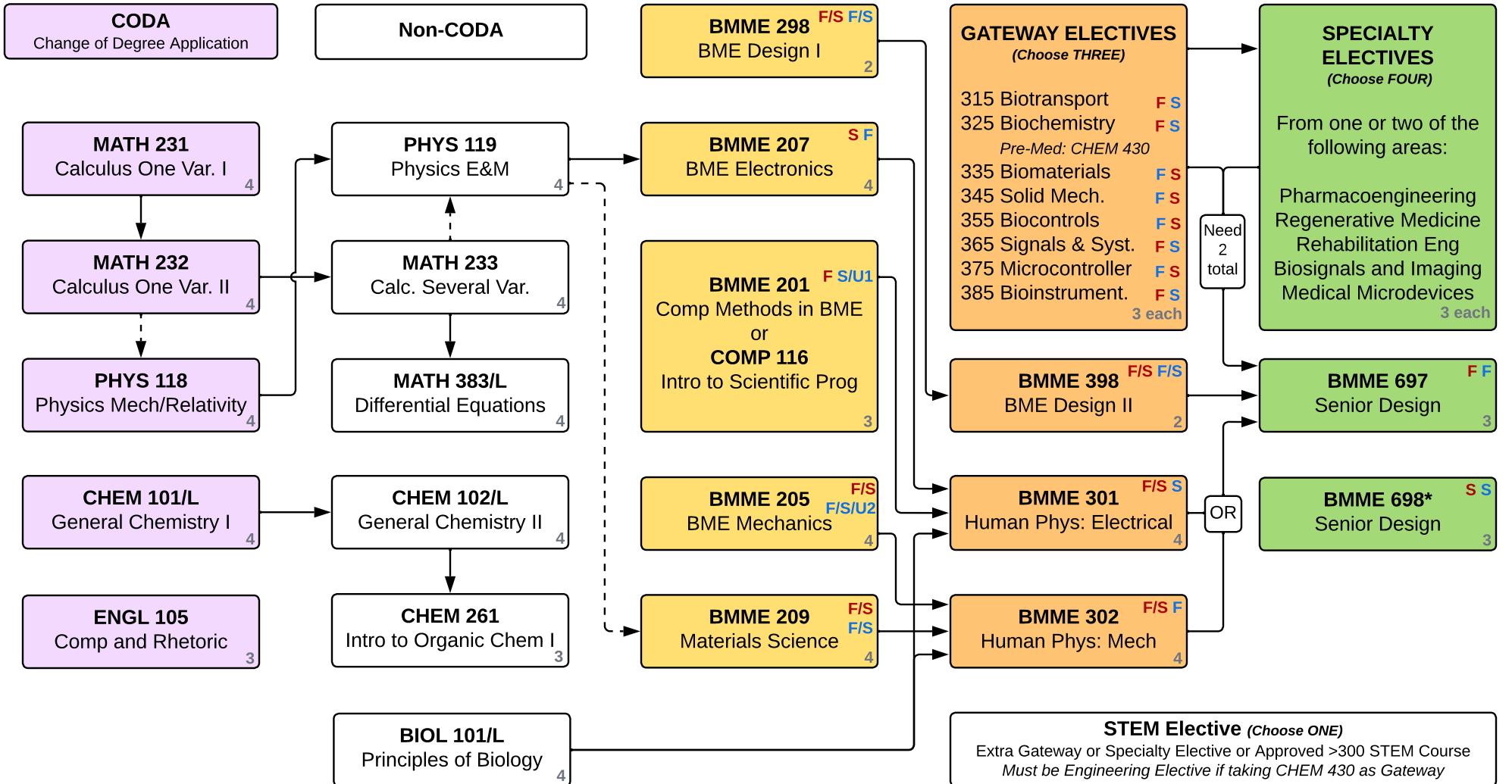
UNC BIOMEDICAL ENGINEERING UNDERGRADUATE PROGRAM

First Years and Sophomores

Sophomores

Juniors

Seniors



Offered at **NCSU** or **UNC**
F = fall
S = spring
U1 = Summer Session I
U2 = Summer Session II

—————> Pre-Requisite
 - - - - -> Co- or Pre-Req
 Credit Hours

***BMME 698** has the same prerequisite courses as **BMME 697** with a corequisite of 3 additional Gateway or Specialty Electives.